



Exceeding Your
Expectations
We Build
Trust

深圳市罗杰科技有限公司
SHENZHEN SCIFLOW TECHNOLOGIES CO LTD
www.sciflow.com eleflow@163.com

U-D Precision

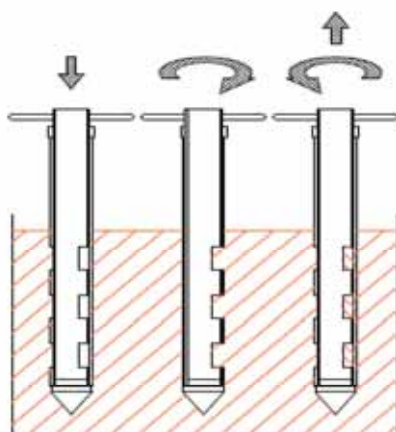
The U-D Precision is designed for taking low volume unit dose samples from different heights within the product. The sampler takes three samples at each of three sampling heights simultaneously.

Type: Multilevel
For Unit Dose Sampling (very low volume sizes)

Sites: Pharmaceutical

Material: 316 stainless steel

- Operation:**
1. Select the Sample Inserts of the correct volume.
 2. Insert the Sampler Inserts into the Inner Rod
 3. Push the Inner Rod into the Outer Tube so that the Sampling Inserts can not be seen through the sampling ports
 4. Insert the sampler into the product
 5. At the required depth rotate the inner core through 180° to expose the Sampling Inserts. The sample will flow into the inserts.
 6. Rotate the inner core through 180° to hide the sample cells.



- (A) Outer Tube
- (B) Sampling Port
- (C) Inner Rod
- (D) A Set of Sampling Inserts



Sampler Body

Part No.	Sampler Length	Number of Sampling Ports
1280A-600	600mm	3
1280A-1000	1000mm	3
1280A-1500	1500mm	3

Sampling Inserts (3 inserts per Set - 3 sets will be required for each sampler)

Part No.	Volume	Price per Set	Price per Set	Part No.	Volume
		1 - 3 sets	4+ sets		
1280T-010	0.01ml	£148.80	£141.36	1280T-060	0.06ml
1280T-020	0.02ml	£148.80	£141.36	1280T-070	0.07ml
1280T-030	0.03ml	£148.80	£141.36	1280T-080	0.08ml
1280T-040	0.04ml	£148.80	£141.36	1280T-090	0.09ml
1280T-050	0.05ml	£148.80	£141.36	1280T-100	0.10ml
1280T-000	Blank Insert	£115.80	£110.01		